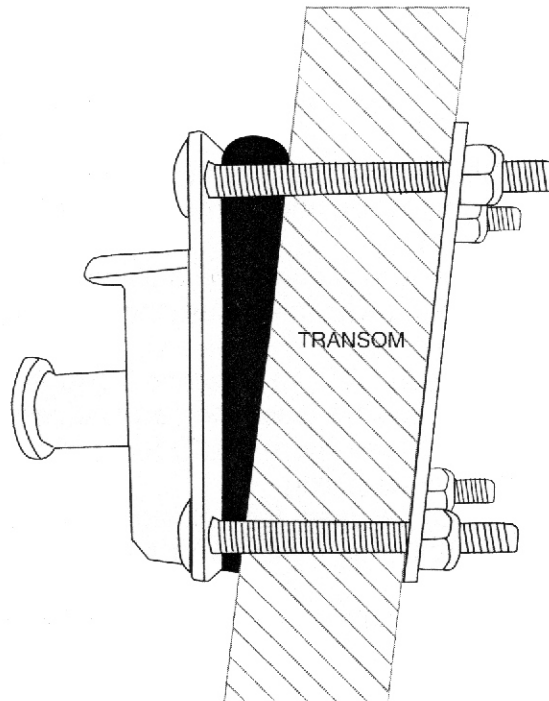


# Weaver Transom Arc Instructions



- First determine if ARC is going to go on the inside of the dinghy transom. The Arc needs to snap into the davit head on the swim platform of your yacht. There is only about ½" of play in the ARC so you need to be fairly close for hooking up.
- Once that is determined you need to drill holes through the transom of the dinghy to mount the receiver bracket.
- The single plate mount (Backing Plate) on the opposite side of the transom from the receiver bracket.
- Use the grey shim to make the receiver bracket lines up straight up and down, so the ARC is straight across the top of the tubes. Use 3m 5200 Adhesive to glue the grey shim to the transom and stainless.
- One end of the ARC snaps into the davit head on the swim platform. The other end snaps into receiver bracket on the transom. The ARC can be removed by pulling the spring handle on the receiver bracket and stowing it away when using the dinghy. **JUST DON'T DROP IT!!**



**Weaver Industries, Inc.**  
6570 W. Boekel Road Rathdrum, ID 83858  
(800) 367-4062 • (208) 687-3982 • Fax (208) 687-0782  
[www.weaverindustries.com](http://www.weaverindustries.com)