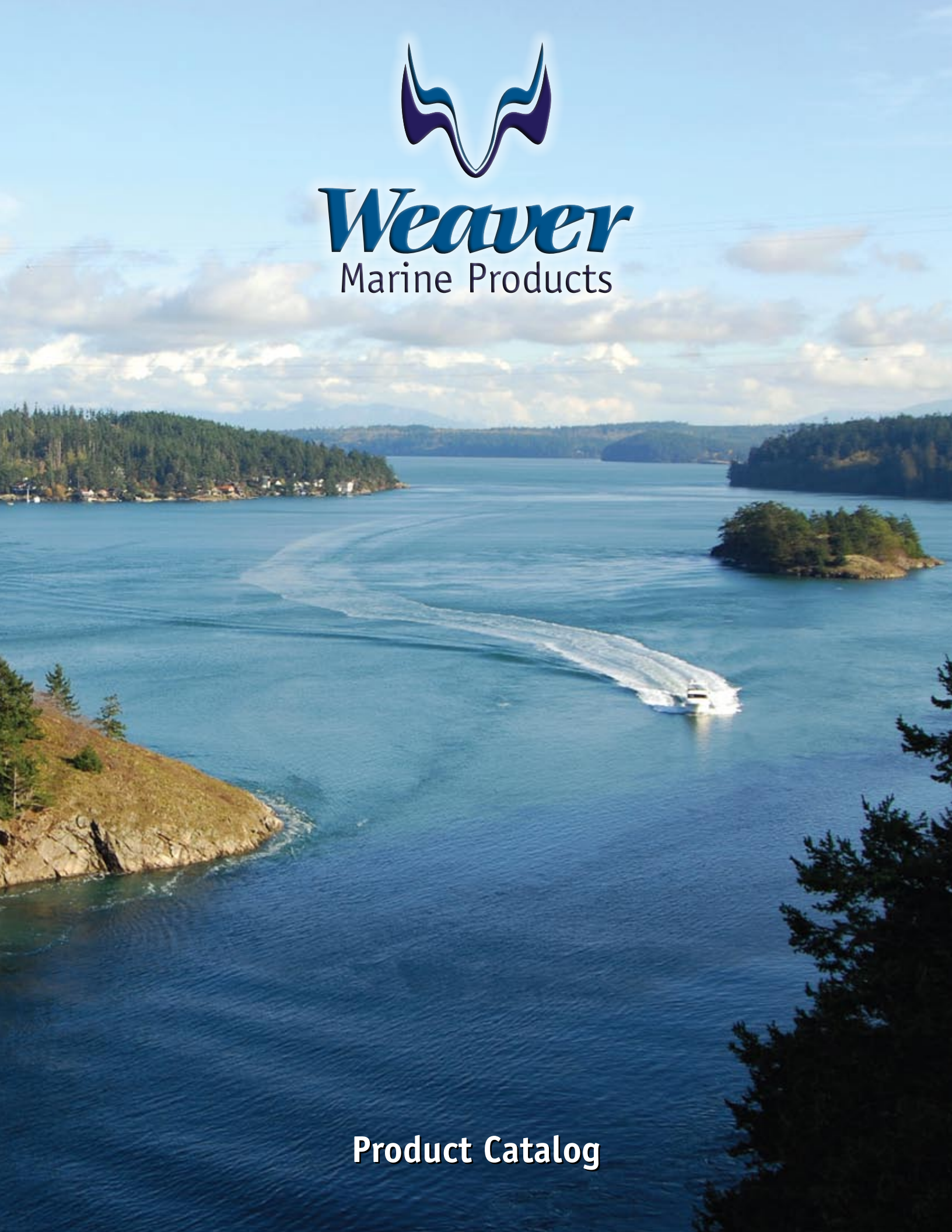


Weaver
Marine Products



Product Catalog

Weaver Products in Action

Get Weaverized!



Get Weaverized!



RBD 100

Designed for power boats with swim platform.
Available in black or gray



RBD 150

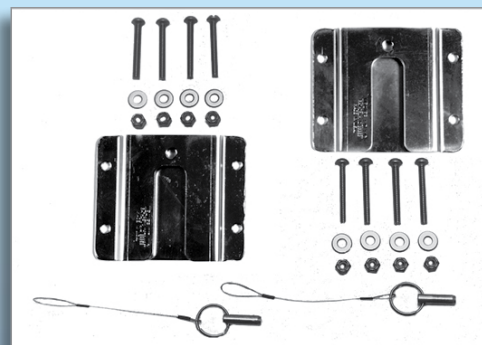
Transom mount for power boats without a swim platform.
Available in black or gray



RBD 100/ARC

This system is for heavier dinghies that carry a motor. Eliminates the pad on the transom of the inflatable.
Available in black or gray.

Please go to www.weaverindustries.com to download the Weaver Transom Arc Worksheet. Fill it out and submit it when ordering.



Quick Kit

Power boaters can easily remove davit heads (RS 110) from swim platforms.



RBD201/RBD202

Double Arc System for heavy dinghies eliminating both pads glued onto the tube of the inflatable.

Please go to www.weaverindustries.com to download the Weaver Transom and Front Arc Worksheets. Fill it out and submit it when ordering.



Get Weaverized!



Snap-Ups

The newest product from Weaver is the Snap-Ups. These davit heads are attached to the swim platform either permanently or with the Weaver Quick Kit. They can be physically moved down towards the water line up to 12 inches to accommodate a high swim platform and a smaller dinghy. This allows the boat

owner to step down into the dinghy while still attached to the swim platform and to then release the dinghy from the davit heads. When reattaching the dinghy, the owner would then step up out of the dinghy, onto the swim platform, reach down and pull the release handle to pull one of the davit heads up then go over to the other side of the dinghy and pull that side up. The dinghy is then pulled up to the vertical position for storage where it will sit at 3 inches below the top of the swim platform.



Offset Davit Heads

Offset Davit Heads are for swim platforms that are extremely high off the water. Can be made up to 6" down from the top of the swim platform. All custom heads fit into Quickkit.

Please go to www.weaverindustries.com to download the Weaver Offset Davit Head Worksheet. Fill it out and submit it when ordering.



RS150

Designed for transom mounting without swim platform



Raised Davit Heads

Raised Davit Heads are used if your swim platform is too low to hook your inflatable. Can be made up to 4" high.



Extended Davit Heads

Extended Davit Heads are used for swim platforms with a severe curve to them or to clear a ladder. Can be made up to 4" longer than regular RS 110.

Get Weaverized!

RP101 Black or Gray Replacement Pad
Available for RBD 100 & RBD 150



RSH120
Replacement yokes for the RP101



RS 110 Davit Heads
Designed for swim platform mounting



HYP Glue Kit
Includes Hypalon glue, 4 oz. Toluene, catalyst, 2 mixing cups, brushes and sand paper



PVC Glue Kit
Includes PVC glue, 4 oz. MEK, catalyst, 2 mixing cups and brushes

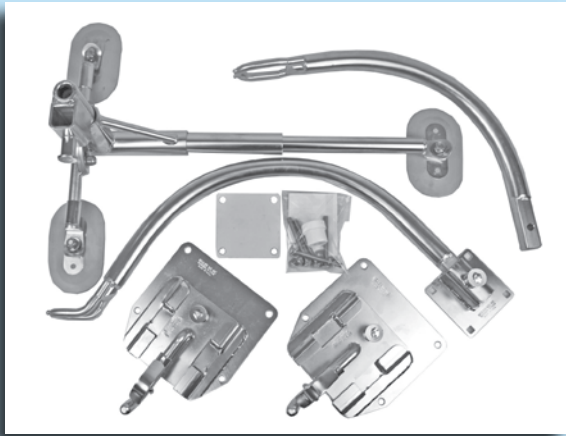


PVC • HYP Glue Only
For use on inflatables made of **PVC or Hypalon.**
Specify which material when ordering



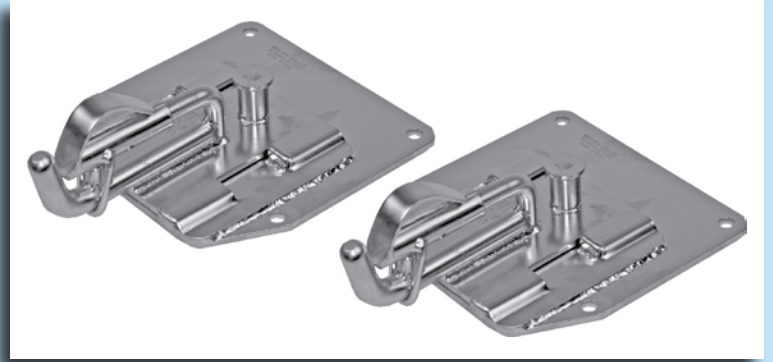
Heavy Duty Davit System Heavy Duty Head Options

Get Weaverized!



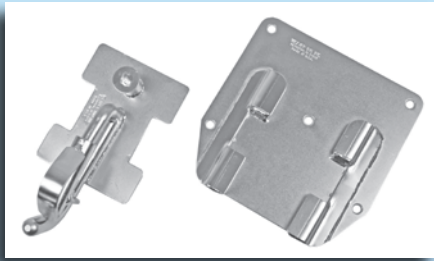
HD-RBD 202

Double Arc System for heavier dinghies up to 400 lbs. Needs to be used with the Weaver Hoist/Leaver Davit System



HD-RS 110

Designed for swim platform mounting with the Weaver Hoist/Leaver

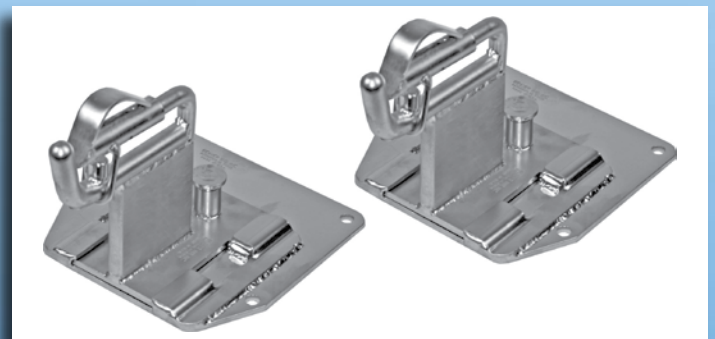


All Heavy Duty Davit Heads will come with Quick Kits for easy removal of davit heads off the swim platform.



HD-RS 110 Extended

Extended Davit Heads are used for swim platforms with a curve to them or to extend the inflatable out so it can be used with the Weaver Hoist/Leaver



HD-RS 110 Raised

Raised Davit Heads are used for swim platforms that are too low to the water to hook up your inflatable.

Weaver Front Arc

The **Weaver Front Arc** is a fully adjustable three point mounting pad unit that glues and bolts or screws to fiberglass floor of inflatable dinghies. The unique design allows for a wide variety of adjustment points to accommodate attachment to most modern inflatables. The **Weaver Front Arc** is a valuable companion to the **Weaver Arc** that is mounted on the transom. Together, the **Weaver Arc** and the **Weaver Front Arc** are highly effective in transferring the weight of inflatables to the **Weaver Snap Davits**.



Please go to www.weaverindustries.com to download the Weaver Front Arc Worksheet. Fill it out and submit it when ordering.



Weaver Bow Locker Arc

The **Weaver Bow Locker Arc** is designed for dinghies that have a bow locker that is sturdy enough to support the dinghy in the upright position.

Please go to www.weaverindustries.com to download the Weaver Bow Locker Arc Worksheet. Fill it out and submit it when ordering.



Get Weaverized!



Over the years inflatables have gotten heavier as outboard motors have increased in size and weight. The **Arc** was designed to transfer the weight from the transom of the inflatable to the swim platform. Made of rugged stainless steel, the **Arc** is built to be removed when not in use. The **Arc** snaps easily into the davit head located on the swim platform.



The **Arc** comes with a special receiver bracket that mounts on the inflatable transom. Its simple receiver release pin allows for easy removal and storage when not in use.



Please go to www.weaverindustries.com to download the Weaver Transom Arc Worksheet. Fill it out and submit it when ordering.





Get Weaverized!

Weaver Hoist

The Weaver Hoist is a hydraulic hoist system with a foot or hand pump. By pumping the cylinder with your foot or hand you raise the dinghy on your Weaver Davits to a vertical position. You twist a valve to slowly lower the dinghy using the dinghy weight. The boom will fold back onto itself for a compact unit on the swim platform. Weaver is using a marine grade hydraulic oil that is safe for the water environment. The Weaver Hoist is made from stainless steel, marine grade brass, comes with a lifetime limited warranty and made in the USA. The Weaver Hoist can be used with any of our davit systems and with the standard or model 3 Weaver Lever.



**Works with
your existing
Weaver
Products!**





Get Weaverized!

Weaver Hoist/Leaver

The next step in the Weaver Snap Davit System is now ready for your boat. The Weaver Hoist/Leaver system will allow you to pick up your dinghy and motor at the same time using our foot, hand or electric operated hydraulic hoist. Picking from the Leaver bracket that your dinghy motor is attached to, the dinghy raises at the same time as the motor is swinging out over the swim platform. After the dinghy and motor are brought into the vertical position, the hoist remains hooked up to the dinghy/motor. You will need at least one stand-off bracket at the bow of the inflatable for more stabilization.

To go along with the new Weaver Hoist/Leaver we are also offering a Heavy Duty model of our davit heads with a Quick Kit for the extra weight of the boat/motor assembly. We have a wider, longer bracket to spread the weight on the swim platform. The Transom and Front Arc also have been redesigned to accommodate the new Weaver Hoist/Leaver System.

Please go to www.weaverindustries.com to download the Weaver Hoist/Leaver Worksheet. Fill it out and submit it when ordering.



***"So easy
a 5 year old
can do it!"***



Weaver
Marine Products

Walker Bay

Weaver offers a davit system for the Walker Bay sailing dinghies made especially for their unique design. This system will accommodate Walker Bays with no tubes or small tubes. Weaver also makes davits for Walker Bay Genesis. When ordering these davits it is important for Weaver to understand which Walker Bay dinghy you have so that the correct parts are shipped to you. The sailing dinghies have hardware that is attached to the seating area of the dinghy and a standard davit head for inflatable boats is used on the swim platform. The davit system for the Walker Bay Genesis has an Arc system made for the unique design of the transom of the Genesis Inflatable Boat and a regular pad and yoke set up on the bow. Both systems use the RS110 davit heads for inflatable boats.



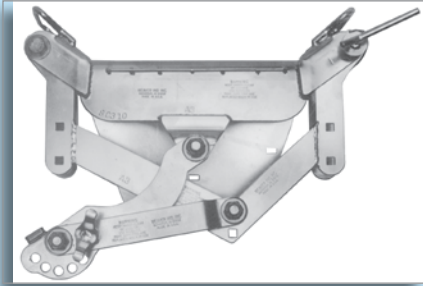
The Portland Pudgy

This is a unique little dinghy made in Portland, Maine. We have modified davits for it to be used as a dinghy on a swim platform. There is quite a curve between the bow and stern so we have the bow davit head longer than the stern davit head. Take a look at the Portland Pudgy website at www.portlandpudgy.com for more info on this dinghy.



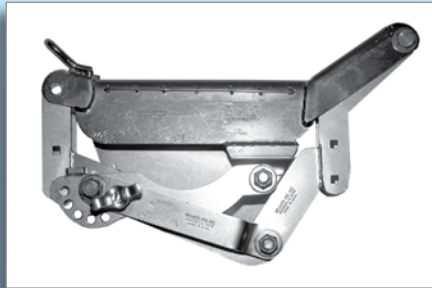
Get Weaverized!

Standard Weaver Leaver



For inflatable with transom that is up to 4" down from the top of the tube.
Requires 13" of flat transom area

Model 3



Designed for inflatable with a transom that is within 6" down from the top of the tube.

Requires 13" of flat transom area with 10" offset from center either right or left. Must specify port or starboard on worksheet order form.

U.S. Patent No. 5,979,861
Canadian Patent No. 2,250,713



Please go to www.weaverindustries.com to download the Weaver Leaver Worksheet. Fill it out and submit it when ordering.

Get Weaverized!



The **Weaver Leaver™** is designed to be used with **Weaver Snap Davits**. It allows your outboard to remain upright while your inflatable is in the vertical position. The **Weaver Leaver** is made of rugged stainless steel and is manufactured to accommodate outboards that are mounted to pivot either to the port or starboard. It can handle outboards up to 85 lbs. max.

All Parts below come with **Weaver Leaver**



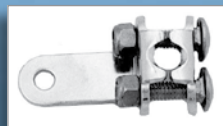
Adjustable Rod End for Weaver Leaver



Pad Eye



**Long/Short
Push Pin**



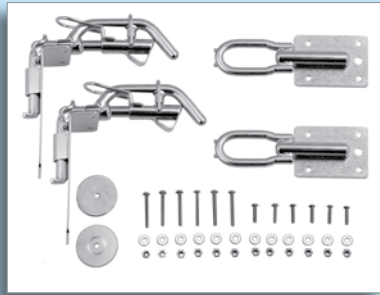
Stand off clip

*** Transom must not be more than 1 1/2" thick to work with the Weaver Leaver**





Get Weaverized!



SD 1

Designed to fit most fiberglass dinghies from 7-9 foot for swim platform mount.



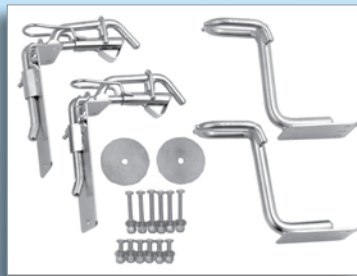
SD 2

Designed for fiberglass dinghies from 7-9 foot without swim platform.



SD 4

Designed for fiberglass dinghies from 7-9 foot with 4" risers on swim platform.



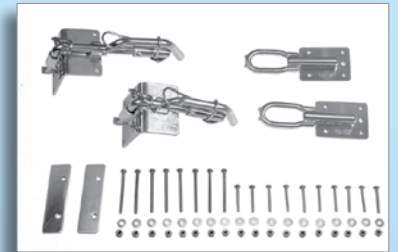
SD 6

Designed for fiberglass dinghies with 6" risers on swim platform.



SD 7 Heavy Duty

For fiberglass dinghies from 10-12 foot



SD 8 for Boston Whalers

Special Davits just for 9-11 foot Boston Whalers



Get Weaverized!

SDRB

For hard shell dinghies to hook up to Inflatable Davit Heads (RS110)



TMH

For mounting on the transom of a boat without swimplate form.

SR4 / SR6

For SD1/SD7 4" or 6" riser hooks — Removable w/Quick Kits (not included).



DHS

Replacement davit heads for SD1

SSH/HSB

Standard swimboard hooks allowed to be removable w/ Quick Kit (not included) for SD1/SD7





Stand-Off Brackets

Adjustable Stand-Off Brackets

Get Weaverized!



A much-awaited new product from Weaver Industries is the **Weaver Adjustable Stand-off Brackets**. These can be adjusted up to 6 inches longer, i.e. 18 - 24 inches, giving you more versatility for your stand-off application. **Weaver Adjustable Stand-offs** come with **Standard Ends** or **Clips on Both Ends**.

Stand-Offs with clips



Stand-Offs with clips both ends



Weaver Stand-Off Brackets: SO12, SO18, SO24, SO30, SO36

Fit all popular hard shelled dinghies and inflatable boats. Stand-Offs pivot back to the boat transom and clip neatly in place.

- 100% stainless steel
- Swedged end lets bracket swivel in any direction
- Custom lengths available
- Spring-loaded thumb lever for one hand operation
- Brackets come assembled
- Available in 12", 18", 24", 30" and 36" lengths



Get Weaverized!



Beckson Clips

This little clip that Weaver gets from Beckson Clipper™ is perfect for holding the Weaver Stand-off Brackets on the transom of the boat when you are not using the Stand-offs to hold the dinghy up. These are an alternative to the "L" clips that Weaver provides with each set of Stand-off brackets. These clips come 4 to a package giving you the opportunity to use them on the transom or, if the Stand-off Brackets have clips on both ends, to take the Stand-offs off the transom and store them in a storage compartment.



RP 301

Stand-off pad is designed for attaching stand-off brackets to inflatables and other uses.
Specify black or gray pad



RP 304

Stand-off pad used on the inflatable dinghy for attaching the Standoffs.
The 3-3/4" pad features a tab that swivels and is available in gray only.



L-Clips

4 extra L-clips for stand-offs



Get Weaverized!



C1000

Universal Standard Chocks are the perfect installation for most hard bottom inflatable dinghies.



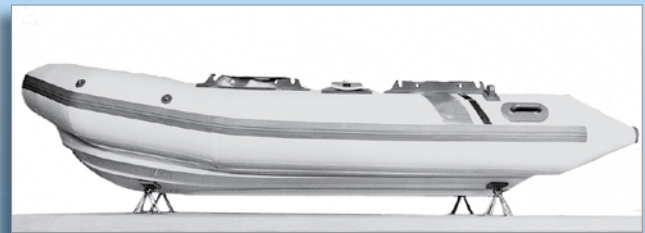
C1204

C1204 has a 6" standard height but can be adjusted to 10" when combined with **CS Bolts and Spacers**. (sold separately) Specify length when ordering.



Weaver Chock Lock System

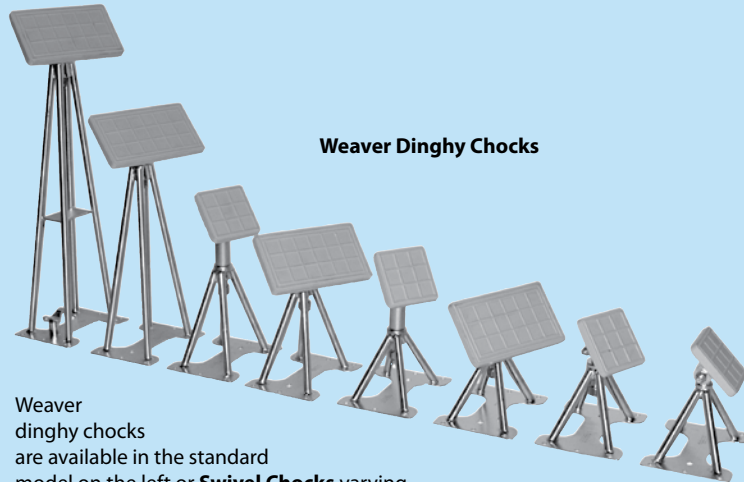
Tired of hitting or tripping over your dinghy chocks? With the new **Chock Lock System**, you can easily remove chocks when not in use.



Weaver Chock Lock System

To remove the chock stand, just pull the handle and slide the unit from its base mount. When you are ready to put your dinghy back on the chocks just pull up the handle, slide the chock stand back into place and release the spring mounted handle allowing the pin to lock into the anchor hole. It is that simple!

Get Weaverized!



Weaver Dinghy Chocks

Weaver dinghy chocks are available in the standard model on the left or **Swivel Chocks** varying in height from 8" to 21". Weaver Industries, Inc. now makes a series of custom dinghy chocks that hold up to 1000 pounds for a set of four and accessories designed to make even a complex installation simple. Whether you need a chock with enough height to clear a hatch cover, a **CS Bolt Spacer** that overcomes the slope of boat decks or if you want an oversized pad to take the weight of a heavier dinghy, **Weaver has a solution!**

CHOCK AVAILABLE IN 316 STAINLESS, CALL FOR PRICING



CS Bolts w/ Spacers
Specify length. 1-4"



C1204 with 4" CS Bolt Spacer



C 407

C305

All chocks come with C305



Get Weaverized!

The **Weaver MotoSto** is made for motors that you don't want to store on your dinghy with the **Weaver Leaver**. It allows you to store your motor horizontally on the swim step or on the transom of your yacht.

The **Swim Platform Weaver MotoSto** allows you to remove your motor from your dinghy and place it on the swim platform in a horizontal position before getting out of your dinghy.

The actual bracket is removable from the swim step leaving a low profile receiver plate on the platform similar to our **Weaver Quick Kit bracket**.

The **Transom Weaver MotoSto** allows you to store your heavier motor on the transom of your yacht. When under way the bracket is in the normal position and when using the motor, the bracket can be swung out of the way against the transom. This bracket is not removable.

To keep your motor safe on the **Weaver MotoSto**, we have an optional stainless steel cable & lock. We offer multiple same keyed locks by ABUS.



Swim Platform MotoSto



MotoSto Lock & Cable



Transom MotoSto



Get Weaverized!

Weaver Winch

Ratcheting stainless steel and brass winch that will ratchet your dinghy up and down on the Weaver Snap Davit System.

Rating is for 400 lbs. on a 1:1 ratio.

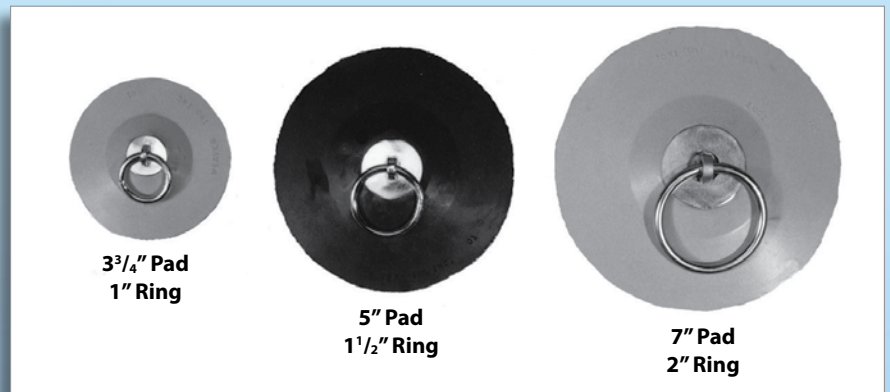
The **Weaver Arc** combined with the **Weaver Leaver** allows boaters to leave their outboards in place while they raise their dinghy to the upright position. The **Weaver Winch** is designed to lift a total "in the water" weight of 400 pounds.



The **Weaver Winch** was developed after years of testing to create a winch designed specifically for the boating industry.

The **Weaver Winch** is made with rugged stainless steel and marine grade brass. It features a custom braking system that allows a dinghy to be safely lowered to the water.

**Winch Quick Kit Plate assembly sold separately*



Weaver Mounting Rings

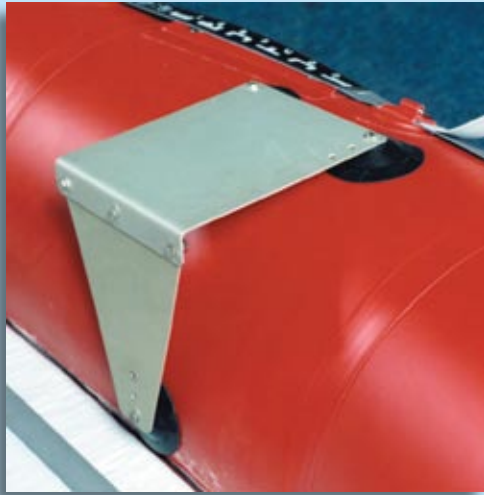
The **Weaver Mounting Rings** are made with stainless inserts that are molded directly into high grade Hypalon. They come in black or gray.

What makes **Weaver Mounting Rings** different is that conventional fabric mounting material has been replaced with a rugged stainless steel base. The **Weaver Mounting Rings** come in two models, standard or swivel. They are available in three sizes: 1", 1-1/2" and 2" stainless steel ring size.

Accessories For Inflatables

BBS™ Snaptoggle®

Get Weaverized!



The Ultramount

The Ultramount features:

- High-grade aluminum construction
- Mounts with three Weaver mounting pads (included) which must be attached with proper inflatable boat glue. (sold separately)
- Excellent platform for fishing down riggers, outboard remote controls and other accessories.
- Made in the U.S.A.
- Weaver Lifetime Manufacturer's Guarantee



FPH 401

The **Weaver Fishing Pole Holder** helps turn your inflatable into a fishing boat. The easy-to-remove stainless steel holder attaches to a Weaver 7" round pad.



REG POCKFL (4"x3")
For Florida State



REG POCK (3"x3")
Used to put your state, Coast Guard or registration sticker on your inflatable.



RP321
Bow light holder
Available in black or gray



Introducing a new way for installing **Weaver Davit** and **Weaver Chock Systems** on integrated swim platform or difficult areas. They are sold as a set of four to a card. The part that you bolt to is made out of 304 stainless steel and all you have to do is drill a 1/2" diameter hole, insert **BBS™ SNAPTGGLE®** anchor in and use the plastic cap to hold it in place.

For more info go to www.weaverindustries.com and click on Toggler Products.

U.S. Patent number 6,161,999 and foreign counterparts thereof and of U.S. patent number 4,650,386. Other patents pending. TOGGLER and typeface, logo symbol, and SNAPTGGLE are registered trademarks of Mechanical Plastics Corp. BBS is a Trademark of MPC.

Get Weaverized!



Boaters often purchase Weaver Snap Davits as their core dinghy product. Many don't realize that they should have purchased other companion Weaver products when setting up their dinghy.

Weaverizing means equipping your dinghy with a compliment of Weaver products such as listed below:

- Weaver Snap Davits
- Weaver Stand-Offs
- Weaver Leaver
- Weaver Winch
- Weaver Arc
- Weaver Mounting Rings

Continue to **Weaverize** your dinghy with the addition of future Weaver products.

Look for the latest Weaver products at www.WeaverIndustries.com

MISTAKES DO HAPPEN:

Typographical, photographic, pricing and editing errors in our catalogs, flyers, advertising and website are unintentional and we reserve the right to correct them.

*Since davits are custom, and made by hand, small variances should be expected.

**All specs from manufacturer literature have not been independently verified.

CUSTOM WORK AVAILABLE

Have an exciting idea or custom work you would like explored? Weaver Marine can help you design and manufacture your next widget. Give us a call at 1-800-367-4062 or email us at sales@weaverindustries.com with your idea. We can read .dxf files to pencil lines scribbled on a piece of paper. We manufacture all our marine products right here in the United States of America. Let us help you make your life easier.



Get Weaverized!



Have You Been Weaverized?



Weaver
Marine Products

Weaver Industries Inc.

6570 West Boekel Road • Rathdrum ID 83858

1 (800) 367- 4062 • (208) 687-3982 • Fax (208) 687-0782

www.WeaverIndustries.com